



Isolation Valves

Isolation Pendulum Valves

SPECIFICATIONS

Materials

Body: Cast aluminum A356.0
 Valve plate: Aluminum 6061-T6
 Other parts: A6061, A7075, SS304, SS316, Inconel X-750 and Viton
 Seals: Viton standard. Kalrez, Chemraz, Perlast and other materials available
 Body and plate surface treatment
 Bare aluminum standard.
 Hard Type III anodizing optional

Compressed air source

CDA or equivalent at 65 to 85 PSIG

Differential pressure

With valve fully sealed: 15 psi maximum across the valve plate
 While opening the valve
 20 Torr (DN160 and DN200)
 24 Torr (DN250)
 29 Torr (DN350)

Operating pressure: 3.8×10^{-8} to 760 Torr

Heating or bakeout capabilities

Body: 150°C maximum with optional heater kits
 Actuator: 60°C maximum

Ambient operating temps: 0 - 60°C

Leak rate: 1×10^{-9} atm·scc/sec He across seat and to atmosphere
 (1×10^{-6} atm·scc/sec He for hard anodized body or gate)

Maximum speed: Customer adjustable depending on size

Reliability: 99% confidence level in clean environment
 O-ring cycle life: 200K cycles open to fully closed
 MTBF: $\geq 10,000$ hrs. continuous operation

Options: Heater jackets, other O-ring materials and flange configurations available

Nor-Cal Products' pneumatically actuated isolation pendulum valves contain the same patented Penduroll mechanism that is found in the Intellisys throttling pendulum valves. These valves offer the user a highly reliable, compact and low cost alternative to competitive designs. In addition, the smooth actuation results in low particle generation and rapid open-to-close speeds.

In-situ serviceability of the valve is made possible through the incorporation of a removable bonnet cover. The entire gate assembly and sealing O-ring can be accessed without removing the valve from the system, making regular inspections, cleanings and O-ring replacements quick and easy.

The valve body can be heated to 150°C with optional heater jackets. Call for information and pricing.

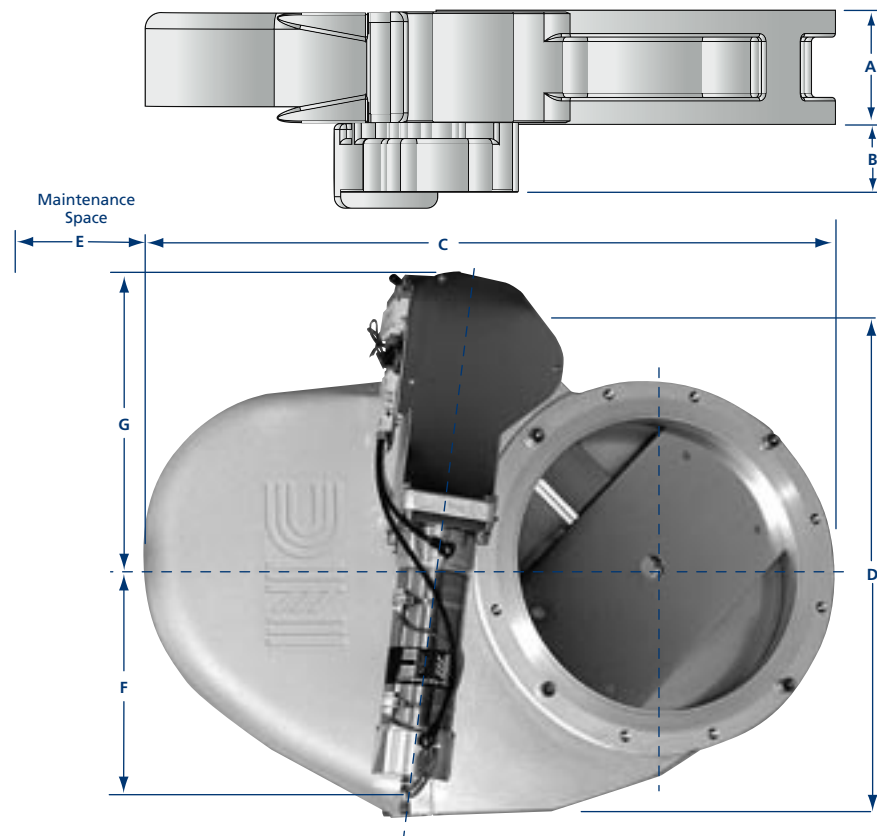


Heated pendulum valve assembly in our 3000 square foot Class 1000 clean room

Isolation Pendulum Valves

| MODEL NUMBER | NOMINAL ID | A | B | C | D | E | F | G | WEIGHT IN LBS. | PRICE |
|------------------|------------|------|------|-------|-------|-------|------|-------|----------------|-------|
| IPV-600-ISO-160 | 6 | 3.15 | 3.78 | 15.90 | 12.20 | 5.32 | 5.87 | 8.50 | 40 lbs. | CALL |
| IPV-800-ISO-200 | 8 | 3.46 | 3.78 | 19.90 | 14.40 | 6.50 | 5.28 | 9.29 | 49 lbs. | CALL |
| IPV-1000-ISO-250 | 10 | 3.94 | 3.78 | 23.80 | 16.60 | 8.46 | 5.47 | 9.49 | 62 lbs. | CALL |
| IPV-1200-ISO-320 | 12 | 4.72 | 4.06 | 30.20 | 22.00 | 10.60 | 7.24 | 12.80 | 123 lbs. | CALL |
| IPV-1400-JIS-350 | 14 | 4.92 | 4.06 | 32.30 | 22.00 | 12.20 | 7.64 | 12.80 | 143 lbs. | CALL |
| IPV-1600-ISO-400 | 16 | 5.91 | 5.00 | 36.00 | 24.70 | 12.80 | 7.83 | 15.00 | 231 lbs. | CALL |

Note: Other sizes and flange configurations available. Call for details.



All dimensions are in inches unless otherwise noted

Prices subject to change without notice. - International product pricing will vary.

Ultra-High Vacuum Components Since 1962 • 800-824-4166 • www.n-c.com

