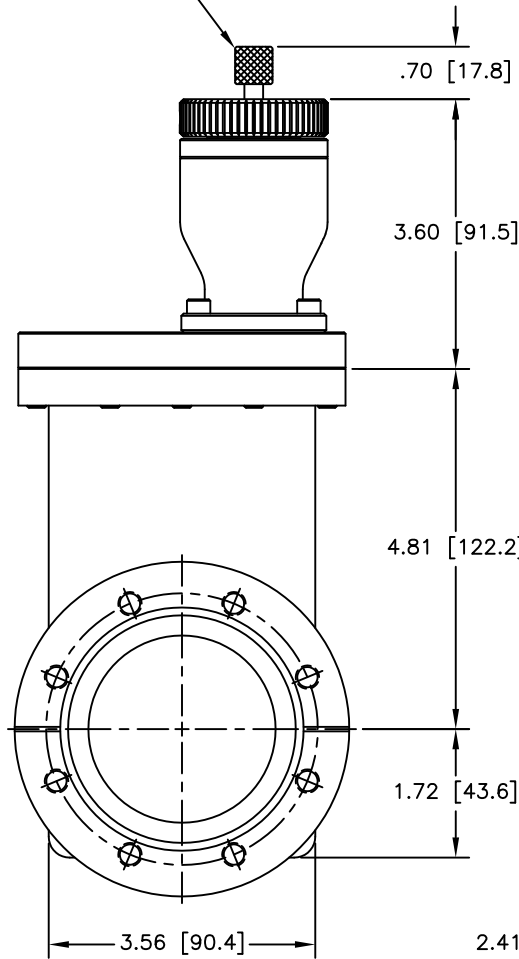
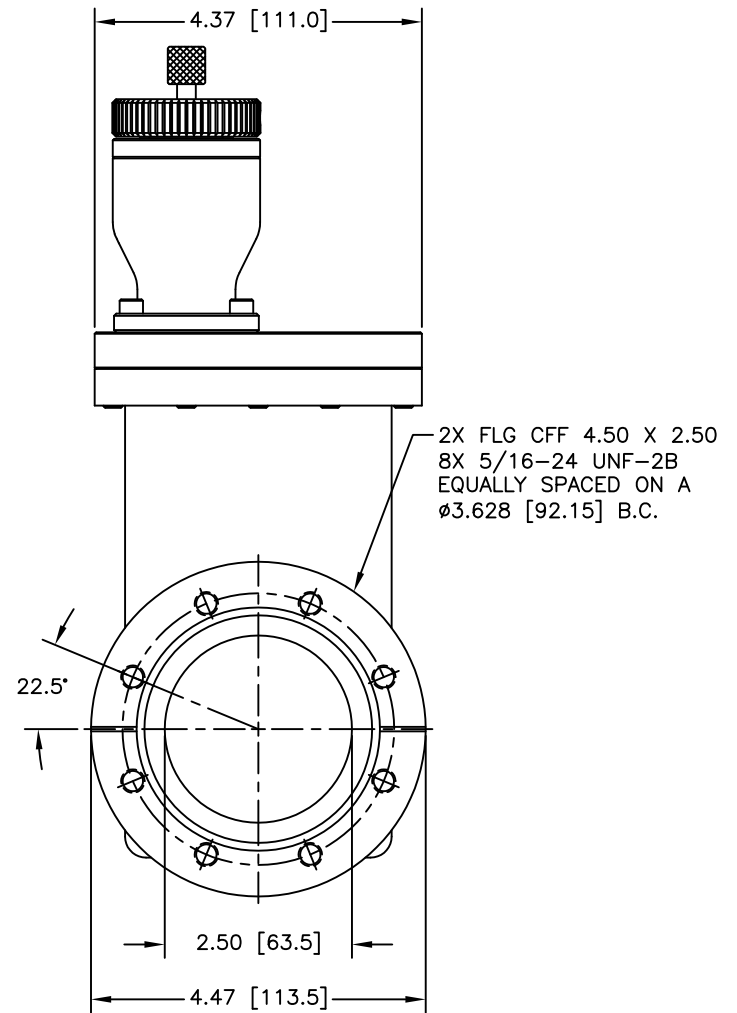
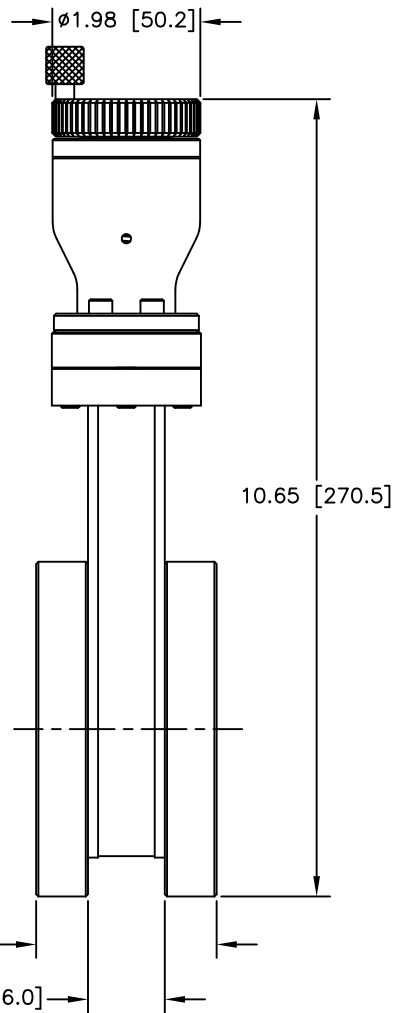


POSITION LOCKING SCREW



CARRIAGE SIDE



GATE (SEAL) SIDE



12880 MOYA BLVD., RENO, NV 89506

OUTLINE DIMENSION DRAWING

DRAWING NUMBER
6260-3FX

DRAWING TITLE
G 2.5" MSB/MAN/CFF
MODEL # 11120-0250

REVISION
F