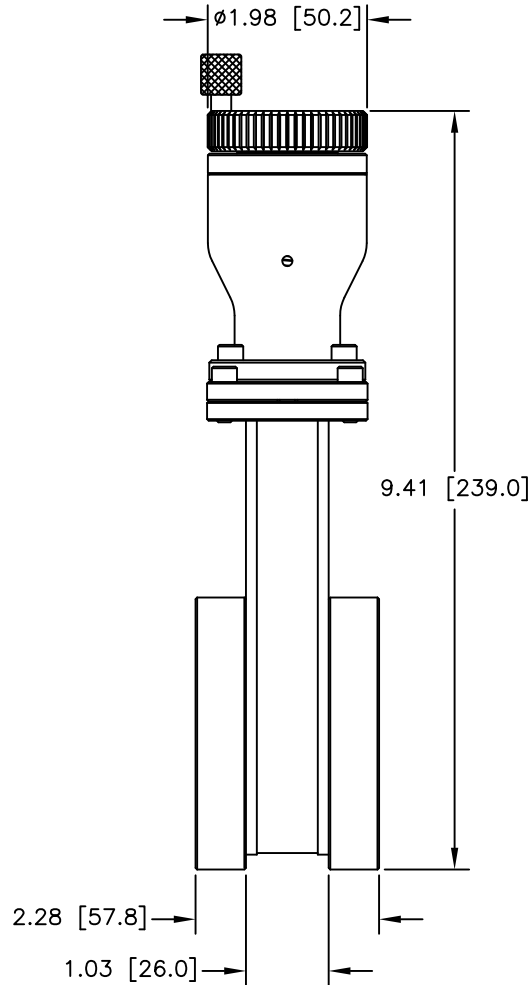
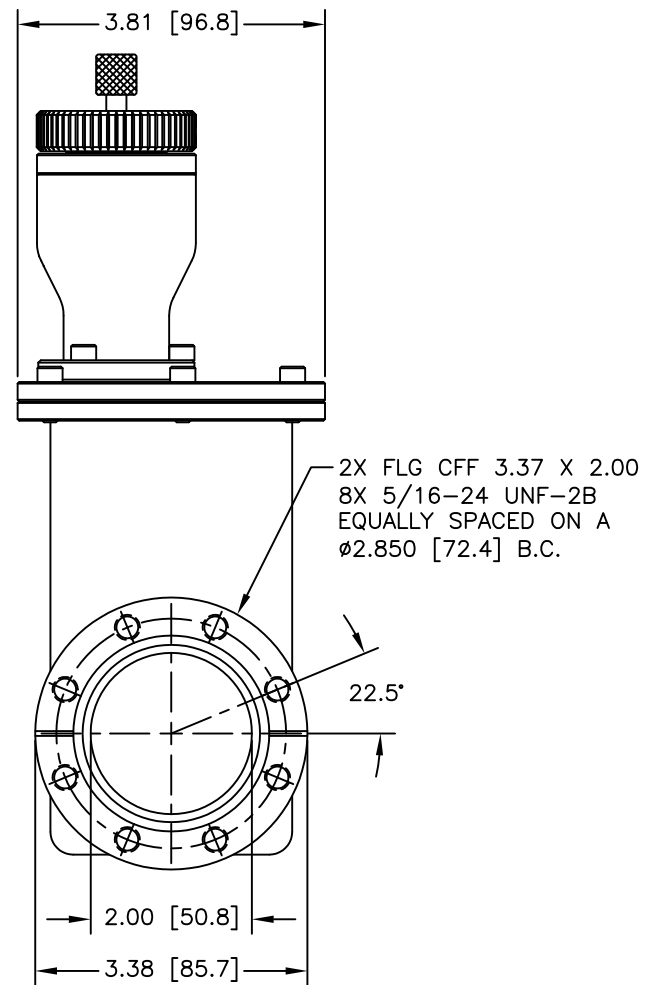


CARRIAGE SIDE



GATE (SEAL) SIDE



OUTLINE DIMENSION DRAWING

DRAWING NUMBER
6300-3EX

DRAWING TITLE
G 2.0" STD/MAN/CFF
MODEL # 11110-0200

REVISION
E



12880 MOYA BLVD., RENO, NV 89506