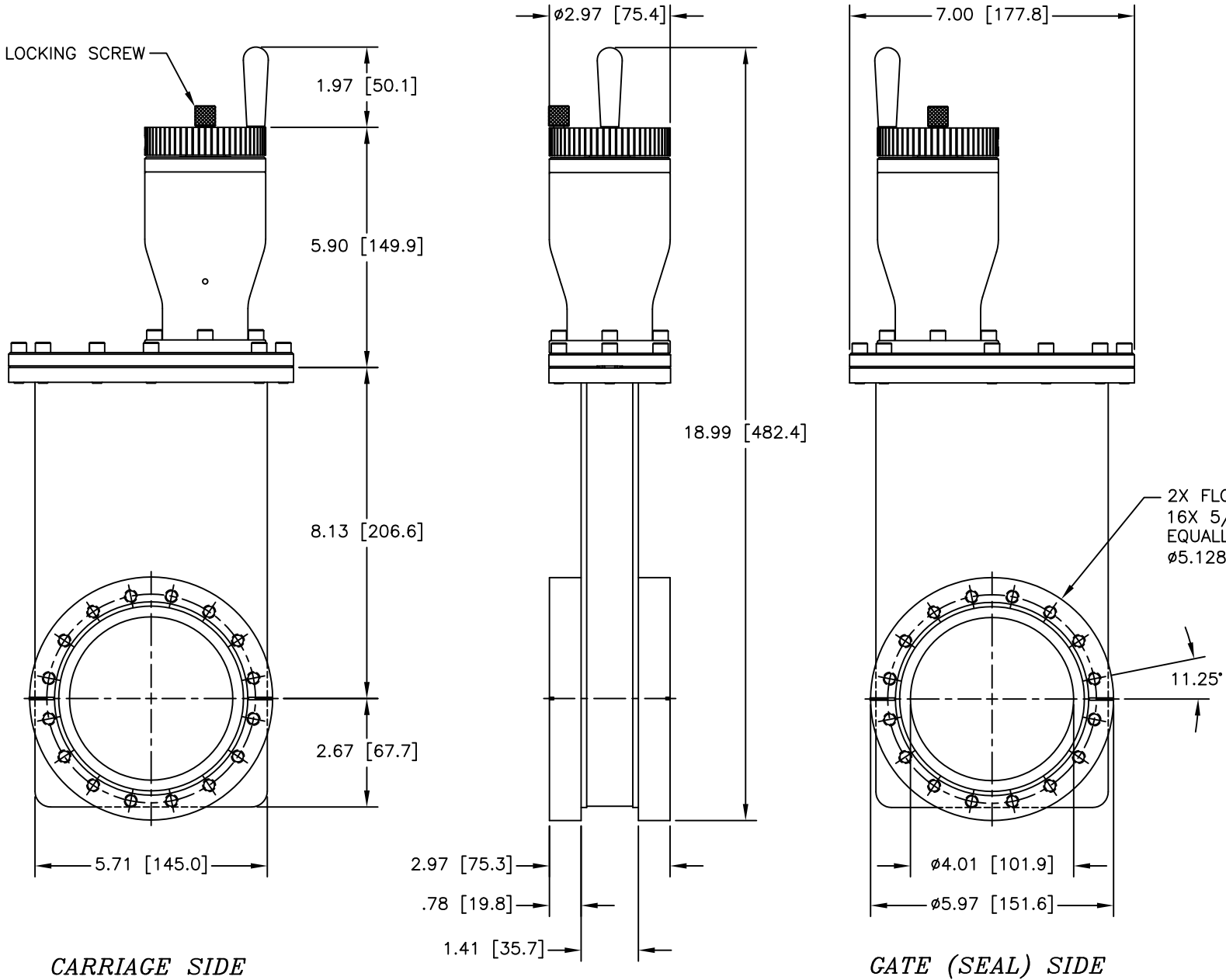


POSITION LOCKING SCREW



CARRIAGE SIDE

GATE (SEAL) SIDE



12880 MOYA BLVD., RENO, NV 89506

OUTLINE DIMENSION DRAWING

DRAWING NUMBER
6256-3FX

DRAWING TITLE
G 4.0" RSTD/MAN/CFF
MODEL # 11110-0400

REVISION
F