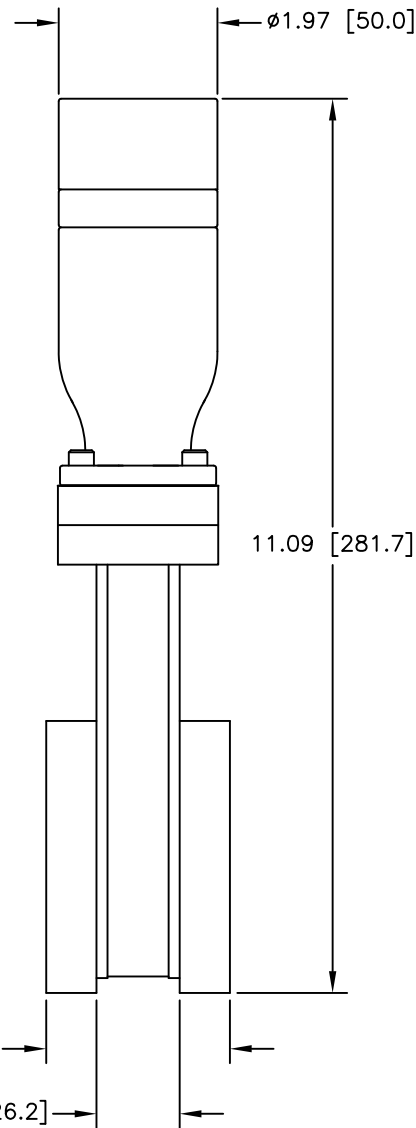
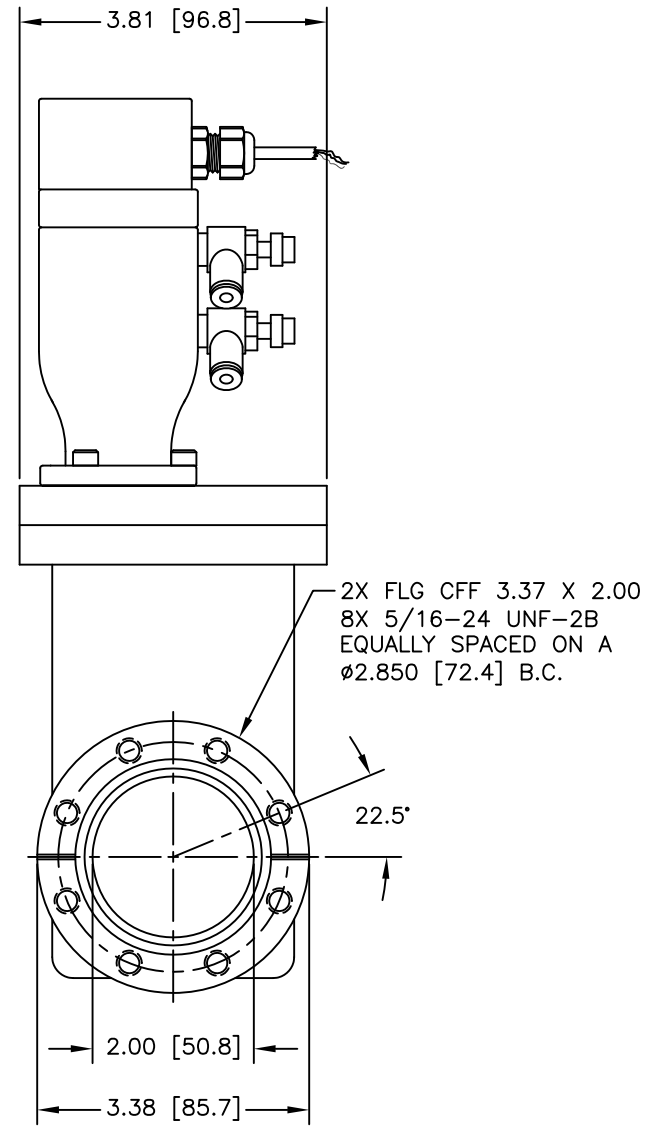


CARRIAGE SIDE



GATE (SEAL) SIDE



OUTLINE DIMENSION DRAWING

DRAWING NUMBER

6301-2EX

DRAWING TITLE

G 2.0" MSB/PNU/CFF
MODEL # 11222-0200R

REVISION

E



12880 MOYA BLVD., RENO, NV 89506