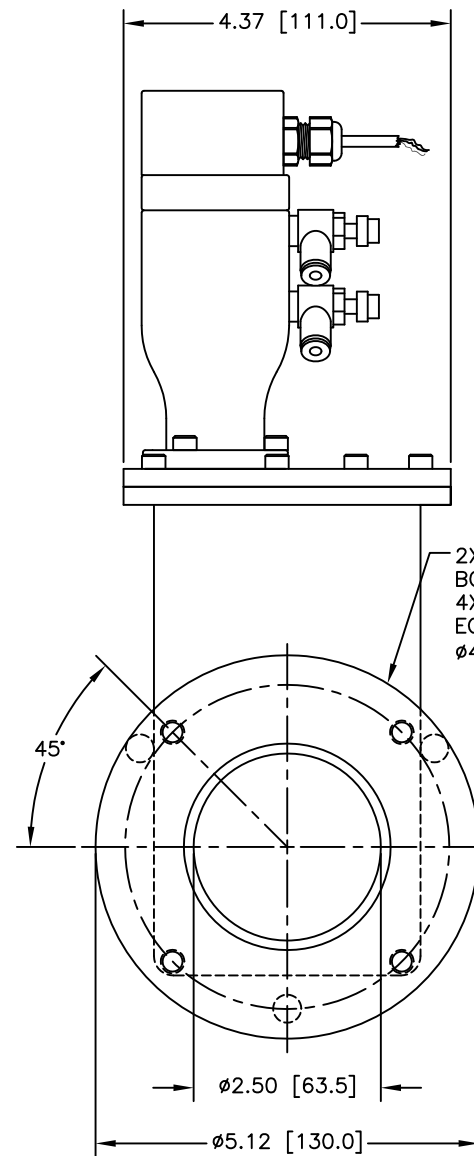
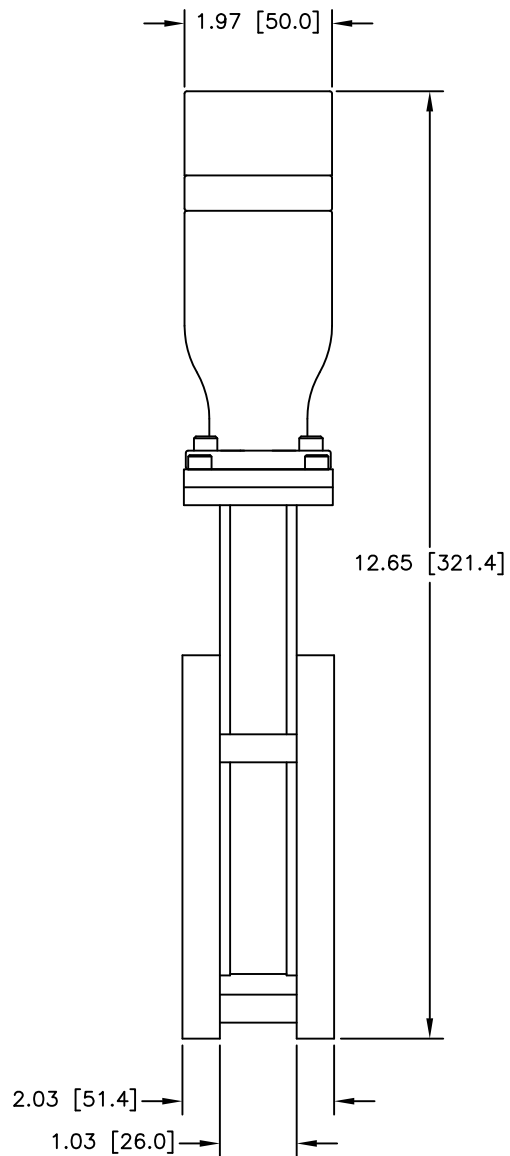


CARRIAGE SIDE



GATE (SEAL) SIDE

2X FLG ISO NW63/2.5" G
BOLTED
4X M8 X 1.25 ISO-H
EQUALLY SPACED ON A
Ø4.331 [110] B.C.



12880 MOYA BLVD., RENO, NV 89506

OUTLINE DIMENSION DRAWING

DRAWING NUMBER
6308-2AV

DRAWING TITLE
G 2.5" LSTD/PNU/ISO BOLTED
MODEL # 21212-0253R

REVISION
A