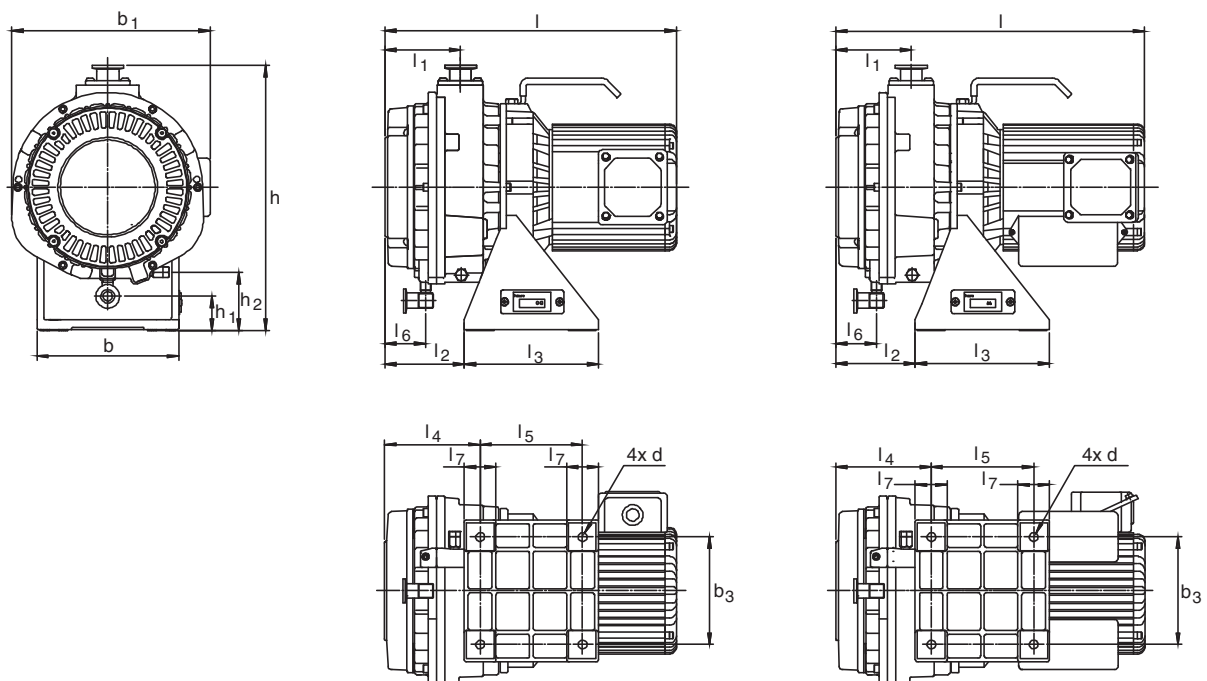


Type		b	b ₁	b ₂	b ₃	∅ d	h	h ₁	h ₂	l	l ₁	l ₂	l ₃	l ₄	l ₅	l ₆	l ₇
SC 5 D	mm	180	91	123	154	7	225	-	-	308	85	90	140	104	112	-	-
	in.	7.09	3.58	4.84	6.06	0.28	8.86	-	-	12.13	3.35	3.54	5.51	40.95	4.41	-	-
SC 15 D	mm	180	222	-	136	11	336	38	73.5	400 ¹⁾	96	101	170	121	130	52	40
	in.	7.09	8.74	-	5.35	0.43	13.23	1.50	2.89	15.75 ¹⁾	3.78	3.98	6.69	4.76	5.12	2.05	1.58

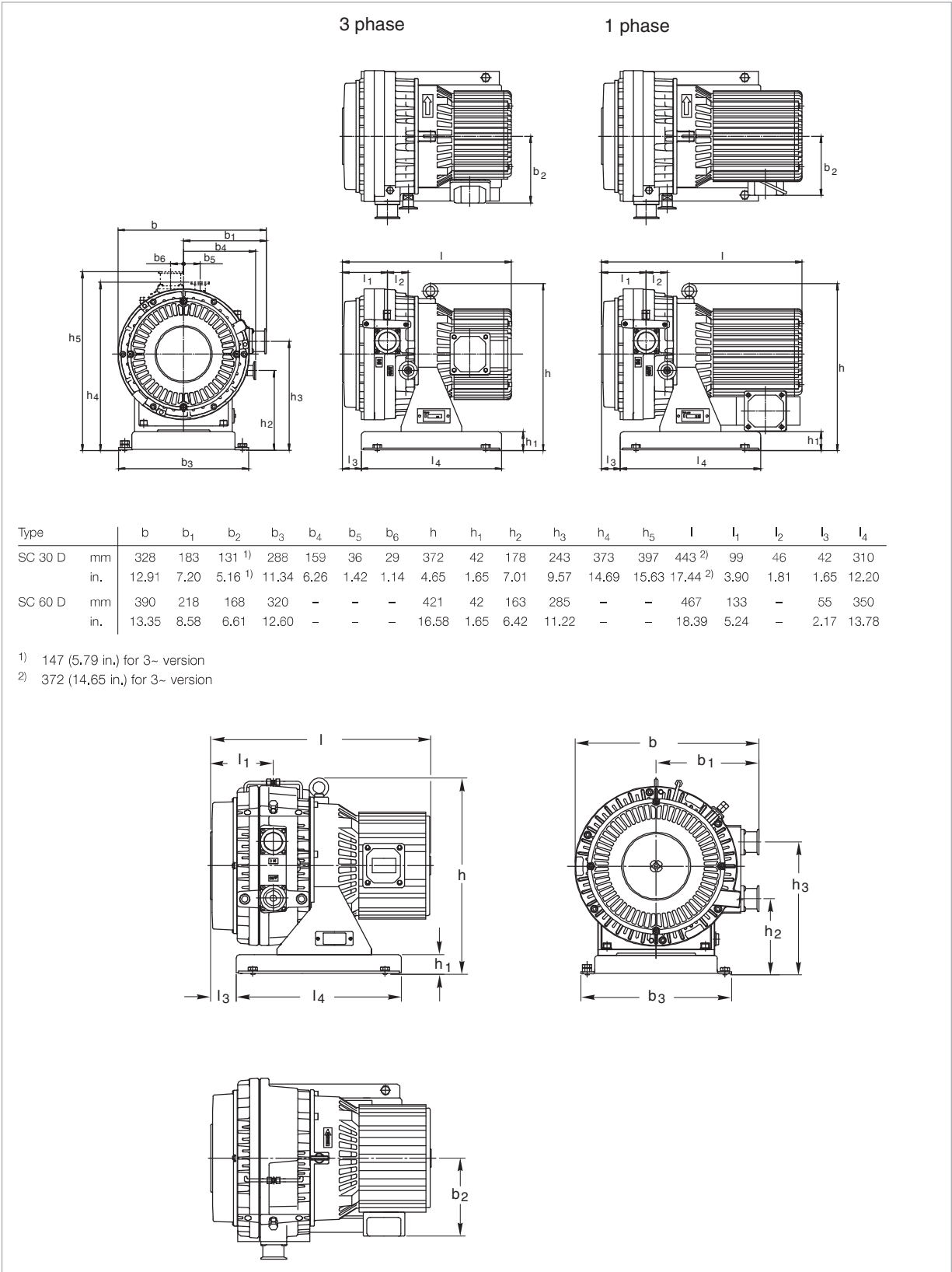
¹⁾ 370 (14.57 in.) for 3- version

3 phase

1 phase



Dimensional drawing for the scroll vacuum pump SCROLLVAC SC 5 D (above) and SC 15 D (below)



Dimensional drawing for the scroll vacuum pump SCROLLVAC SC 30 D (above) and SC 60 D (below)