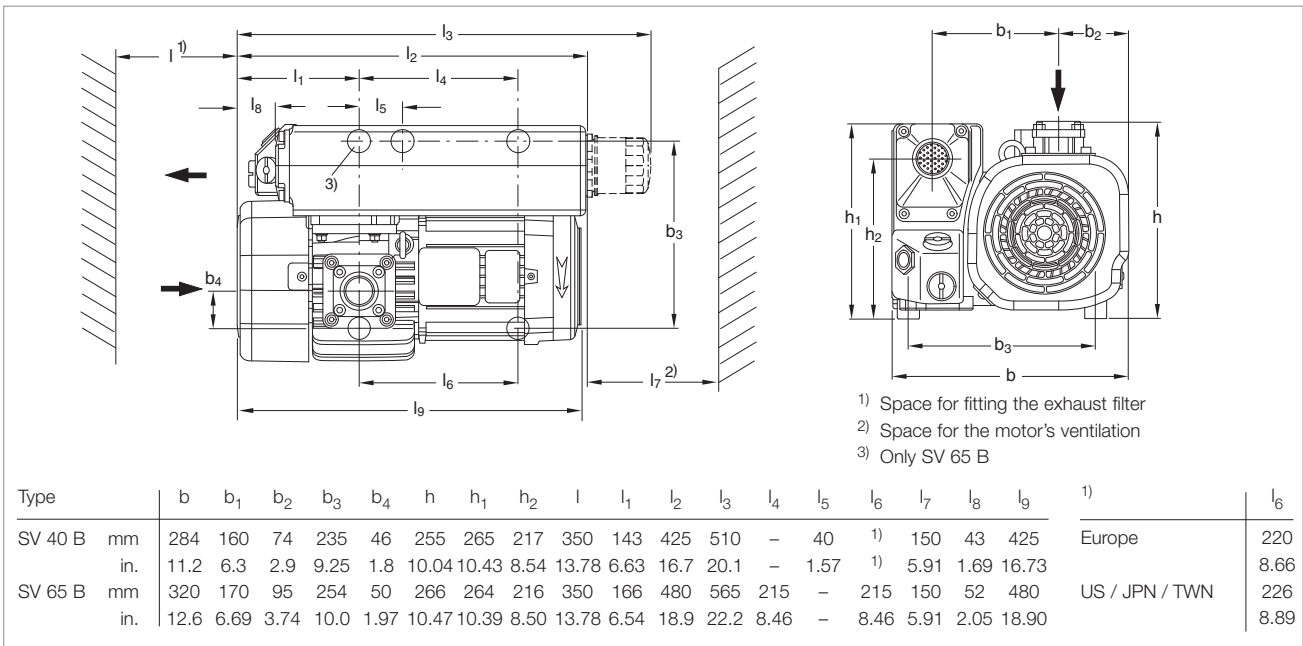


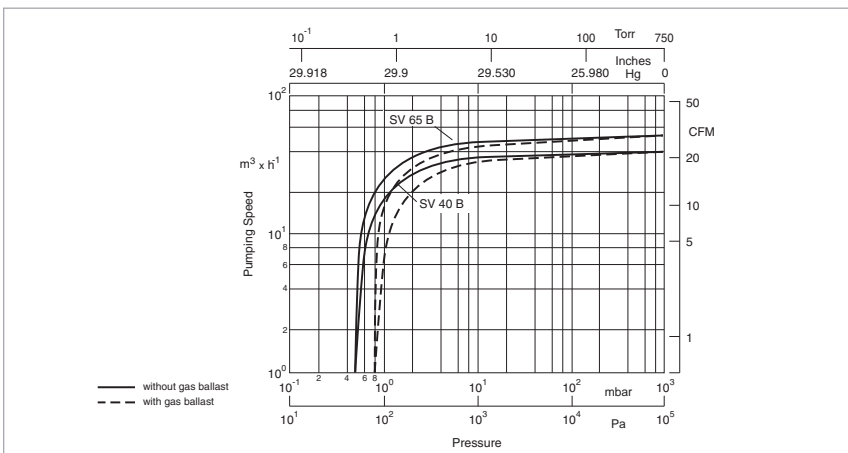
SOGEVAC SV 40 B / SV 65 B



SOGEVAC SV 65 B



Dimensional drawing for the SOGEVAC SV 40 B and SV 65 B with standard motor, European version



Pumping speed characteristics of the SOGEVAC SV 40 B and SV 65 B at 50 Hz (60 Hz curves at the end of the section)

Technical Data

		SOGEVAC SV 40 B		SOGEVAC SV 65 B	
		50 Hz	60 Hz	50 Hz	60 Hz
Nominal speed ¹⁾	m ³ x h ⁻¹ (cfm)	44.0 (25.9)	53.0 (31.2)	59.0 (34.8)	71.0 (41.8)
Pumping speed ¹⁾	m ³ x h ⁻¹ (cfm)	38.5 (22.7)	47.0 (27.7)	54.0 (31.8)	64.0 (37.7)
Ultimate partial pressure without gas ballast ¹⁾	mbar (Torr)	≤ 0.5 (≤ 0.4)	≤ 0.5 (≤ 0.4)	≤ 0.5 (≤ 0.4)	≤ 0.5 (≤ 0.4)
Ultimate total pressure ¹⁾					
with standard gas ballast ²⁾	mbar (Torr)	≤ 1.5 (≤ 1.1)	≤ 1.5 (≤ 1.1)	≤ 1.5 (≤ 1.1)	≤ 1.5 (≤ 1.1)
with small gas ballast ²⁾	mbar (Torr)	≤ 0.8 (≤ 0.6)	≤ 0.8 (≤ 0.6)	≤ 0.8 (≤ 0.6)	≤ 0.8 (≤ 0.6)
Water vapor tolerance ¹⁾					
with standard gas ballast ²⁾	mbar (Torr)	30.0 (22.5)	30.0 (22.5)	30.0 (22.5)	30.0 (22.5)
with small gas ballast ²⁾	mbar (Torr)	10.0 (7.5)	10.0 (7.5)	10.0 (7.5)	10.0 (7.5)
Water vapor capacity					
with standard gas ballast ²⁾					
kg x h ⁻¹ (qt/hr)		0.76 (0.80)	0.90 (0.95)	1.0 (1.1)	1.25 (1.32)
with small gas ballast ²⁾					
kg x h ⁻¹ (qt/hr)		0.28 (0.30)	0.34 (0.36)	0.36 (0.38)	0.42 (0.44)
Oil capacity	l (qt)	1.0 (1.05)	1.0 (1.05)	2.0 (2.1)	2.0 (2.1)
Mean noise level ³⁾	dB(A)	58	60	60	64
Admissible ambient temperature	°C (°F)	12 to 40 (54 to 104)	12 to 40 (54 to 104)	12 to 40 (54 to 104)	12 to 40 (54 to 104)
Motor power	kW (hp)	1.1 (2.0)	1.5 (2.0)	1.5 (3.0)	1.8 (3.0)
Nominal speed	min ⁻¹ (rpm)	1500 (1500)	1800 (1800)	1500 (1500)	1800 (1800)
Type of protection	IP	55-F	55-F	55-F	55-F
Materials (materials in contact with the gas)		Steel, cast iron, Aluminum, Bronze, FPM (FKM), Glass, Polyamid 6.6, Filter material (Polymers, Paper) Epoxy resin & Glass fibre	Steel, cast iron, Aluminum, Bronze, FPM (FKM), Glass, Polyamid 6.6, Filter material (Polymers, Paper) Epoxy resin & Glass fibre	Steel, cast iron, Aluminum, Bronze, FPM (FKM), Glass, Polyamid 6.6, Filter material (Polymers, Paper) Epoxy resin & Glass fibre	Steel, cast iron, Aluminum, Bronze, FPM (FKM), Glass, Polyamid 6.6, Filter material (Polymers, Paper) Epoxy resin & Glass fibre
Weight (with oil filling)	kg (lbs)	43 (94.9)	45 (99.3)	49 (108.2)	52 (114.8)
Dimensions (L x W x H)	mm (in.)	425 x 284 x 265 (16.7 x 11.2 x 10.4)	425 x 284 x 265 (16.7 x 11.2 x 10.4)	480 x 320 x 264 (18.9 x 12.6 x 10.4)	425 x 284 x 265 (18.9 x 12.6 x 10.4)
Connection (inside thread) ⁴⁾					
Intake	G or NPT	1 1/4"	1 1/4"	1 1/4"	1 1/4"
Exhaust	G or NPT	1 1/4"	1 1/4"	1 1/4"	1 1/4"

¹⁾ To DIN 28 400 and following numbers

²⁾ Ordering Information, see next page

³⁾ Operated at the ultimate pressure without gas ballast, free-field measurement at a distance of 1 m (3.5 ft)

⁴⁾ Pumps with European and Japanese motors have G, pumps with US motors have NPT

Ordering Information

SOGEVAC SV 40 B 50/60 Hz

SOGEVAC SV 65 B 50/60 Hz

SOGEVAC SV 40 B, SV 65 B ¹⁾ with three-phase motor, without gas ballast, without oil filter 230/400 V, 50 Hz and 460 V, 60 Hz (CEI)	Part No. 960 300	Part No. 960 400
wide range motor (CEI) ²⁾	Part No. 960 320 ²⁾	Part No. 960 420 ²⁾
with three-phase motor, without gas ballast, with oil filter 230/400 V, 50 Hz and 460 V, 60 Hz (CEI)	Part No. 960 302	Part No. 960 402
with three-phase motor, with small gas ballast, without oil filter 230/400 V, 50 Hz and 460 V, 60 Hz (CEI)	Part No. 960 301	Part No. 960 401
230/460 V, 60 Hz and 400 V, 50 Hz, NPT flanges (NEMA)	Part No. 960 311	Part No. 960 411
230/400 V, 50/60 Hz (CEI)	Part No. 960 321 ²⁾	Part No. 960 421 ²⁾
200 V, 50/60 Hz	Part No. 960 316	Part No. 960 416
with three-phase motor, with small gas ballast, with oil filter 230/400 V, 50 Hz and 460 V, 60 Hz (CEI)	Part No. 960 303	Part No. 960 403
230/460 V, 60 Hz and 400 V, 50 Hz, NPT flanges (NEMA)	Part No. 960 313	Part No. 960 413
230/400 V, 50/60 Hz (CEI)	Part No. 960 323 ²⁾	Part No. 960 423 ²⁾
200 V, 50/60 Hz	Part No. 960 318	Part No. 960 418
with three-phase motor, with standard gas ballast, without oil filter 230/400 V, 50 Hz and 460 V, 60 Hz (CEI)	Part No. 960 305	Part No. 960 405
230/460 V, 60 Hz and 400 V, 50 Hz, NPT flanges (NEMA)	Part No. 960 312	Part No. 960 412
230/400 V, 50/60 Hz (CEI)	Part No. 960 322 ²⁾	Part No. 960 422 ²⁾
200 V, 50/60 Hz	Part No. 960 317	Part No. 960 417
with three-phase motor, with standard gas ballast, with oil filter 230/400 V, 50 Hz and 460 V, 60 Hz (CEI)	Part No. 960 307	Part No. 960 407
230/460 V, 60 Hz and 400 V, 50 Hz, NPT flanges (NEMA)	Part No. 960 314	Part No. 960 414
230/400 V, 50/60 Hz (CEI)	Part No. 960 324 ²⁾	Part No. 960 424 ²⁾
200 V, 50/60 Hz	Part No. 960 319	Part No. 960 419
Other voltages/frequencies ³⁾	upon request	upon request
Filling with special oil ³⁾	upon request	upon request
Exhaust filter cartridge AFE SV40B	Part No. 714 21 180	-
AFE SV65/100B	-	Part No. 714 17 300
Maintenance kit	Part No. 971 427 660	Part No. 971 423 440
Repair kit	Part No. 971 427 650	Part No. 714 20 420
Seal kit FPM (FKM)	Part No. 971 427 640	Part No. 714 20 410
Oil filter ⁴⁾	Part No. 714 20 980	Part No. 714 20 980
Oil filter bypass	Part No. 712 30 570	Part No. 712 30 570

¹⁾ Pumps with European and Japanese motors have G, pumps with US voltages motors have NPT

²⁾ Wide range motor: 210-240 & 360-420 V ± 5%, 50 Hz and 210-260 & 360-460 V ± 5%, 60 Hz

³⁾ Please indicate when ordering a pump

⁴⁾ Not included in maintenance kit