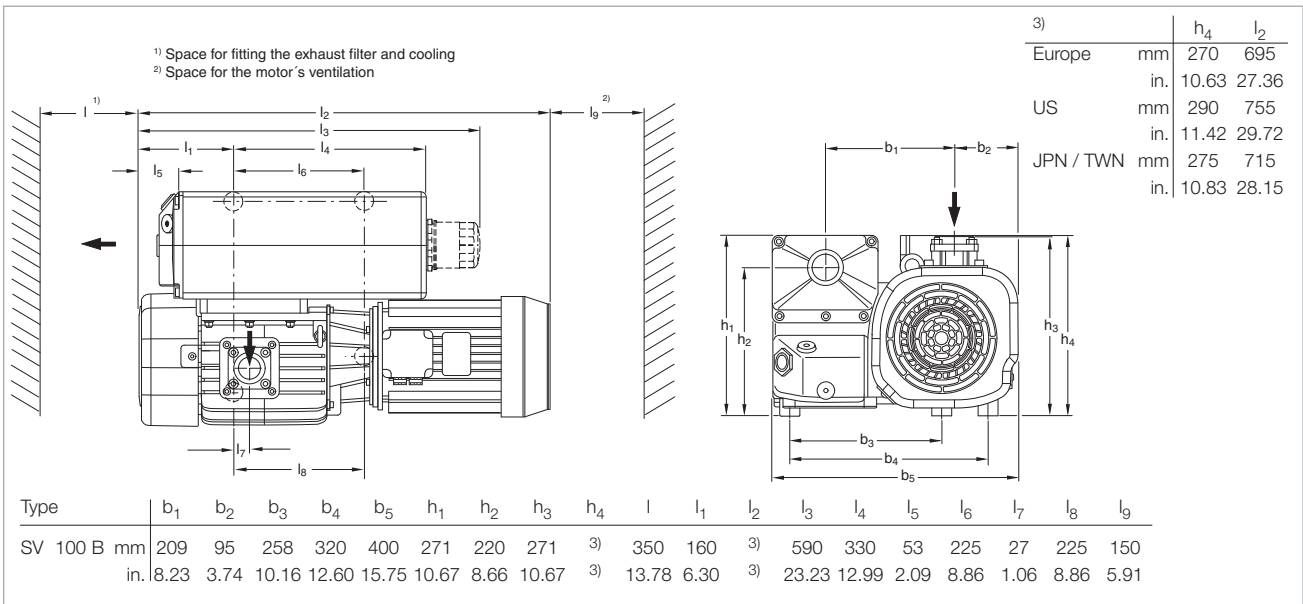


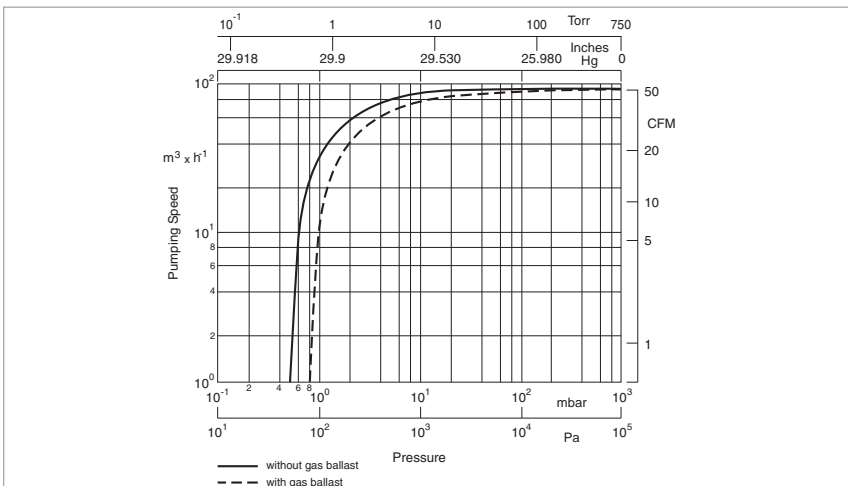
SOGEVAC SV 100 B



SOGEVAC SV 100 B



Dimensional drawing for the SOGEVAC SV 100 B



Pumping speed characteristics of the SOGEVAC SV 100 B at 50 Hz (60 Hz curves at the end of the section)

Technical Data

SOGEVAC SV 100 B

		50 Hz	60 Hz
Nominal speed ¹⁾	m ³ x h ⁻¹ (cfm)	97.5 (57.4)	117.0 (68.9)
Pumping speed ¹⁾	m ³ x h ⁻¹ (cfm)	87.5 (51.5)	105.0 (61.8)
Ultimate partial pressure without gas ballast ¹⁾	mbar (Torr)	≤ 0.5 (≤ 0.4)	≤ 0.5 (≤ 0.4)
Ultimate total pressure ¹⁾			
with standard gas ballast ²⁾	mbar (Torr)	≤ 1.5 (≤ 1.0)	≤ 1.5 (≤ 1.0)
with small gas ballast ²⁾	mbar (Torr)	≤ 0.8 (≤ 0.6)	≤ 0.8 (≤ 0.6)
Water vapor tolerance ¹⁾			
with standard gas ballast ²⁾	mbar (Torr)	30.0 (22.5)	30.0 (22.5)
with small gas ballast ²⁾	mbar (Torr)	10.0 (7.5)	10.0 (7.5)
Water vapor capacity			
with standard gas ballast ²⁾	kg x h ⁻¹ (qt/hr)	1.60 (1.69)	1.70 (1.80)
with small gas ballast ²⁾	kg x h ⁻¹ (qt/hr)	0.45 (0.48)	0.60 (0.63)
Oil capacity	l (qt)	2.0 (2.1)	2.0 (2.1)
Mean noise level ³⁾	dB(A)	61	64
Admissible ambient temperature	°C (°F)	12 to 40 (54 to 104)	12 to 40 (54 to 104)
Motor power	kW (hp)	2.2 (5.0)	3.5 (5.0)
Nominal speed	min ⁻¹ (rpm)	1500 (1500)	1800 (1800)
Type of protection	IP	55-F	55-F
Materials (materials in contact with the gas)		Steel, cast iron, Aluminum, Bronze, FPM (FKM), Glass, Polyamid 6.6, Filter material (Polymers, Paper), Epoxy resin & Glass fibre	Steel, cast iron, Aluminum, Bronze, FPM (FKM), Glass, Polyamid 6.6, Filter material (Polymers, Paper), Epoxy resin & Glass fibre
Weight (with oil filling)	kg (lbs)	75 (165.6)	88 (194.3)
Dimensions (L x W x H)			
Europe	mm (in.)	695 x 400 x 270 (27.4 x 15.7 x 10.6)	695 x 400 x 270 (27.4 x 15.7 x 10.6)
US	mm (in.)	755 x 400 x 290 (29.7 x 15.7 x 11.4)	755 x 400 x 290 (29.7 x 15.7 x 11.4)
JPN / TWN	mm (in.)	715 x 400 x 275 (28.1 x 15.7 x 10.8)	715 x 400 x 275 (28.1 x 15.7 x 10.8)
Connection (inside thread) ⁴⁾			
Intake	G or NPT	1 1/4"	1 1/4"
Exhaust	G or NPT	1 1/4"	1 1/4"

¹⁾ To DIN 28 400 and following numbers

²⁾ Ordering Information, see next page

³⁾ Operated at the ultimate pressure without gas ballast, free-field measurement at a distance of 1 m (3.5 ft)

⁴⁾ Pumps with European and Japanese motors have G, pumps with US (NEMA) motors have NPT

Ordering Information

SOGEVAC SV 100 B 50/60 Hz

SOGEVAC SV 100 B ¹⁾ with three-phase motor, without gas ballast, without oil filter 230/400 V, 50 Hz and 460 V, 60 Hz (CEI)	Part No. 960 500
with three-phase motor, without gas ballast, with oil filter 230/400 V, 50 Hz and 460 V, 60 Hz (CEI)	Part No. 960 502
with three-phase motor, with small gas ballast, without oil filter 230/400 V, 50 Hz and 460 V, 60 Hz (CEI)	Part No. 960 501
230/460 V, 60 Hz and 400 V, 50 Hz (NEMA)	Part No. 960 511
230/400 V, 50/60 Hz and 460 V, 60 Hz (CEI)	Part No. 960 521
200 V, 50/60 Hz (JIS)	Part No. 960 516
with three-phase motor, with small gas ballast, with oil filter 230/400 V, 50 Hz and 460 V, 60 Hz (CEI)	Part No. 960 503
230/460 V, 60 Hz and 400 V, 50 Hz (NEMA)	Part No. 960 513
230/400 V, 50/60 Hz and 460 V, 60 Hz (CEI)	Part No. 960 523
200 V, 50/60 Hz (JIS)	Part No. 960 518
with three-phase motor, with standard gas ballast, without oil filter 230/400 V, 50 Hz and 460 V, 60 Hz (CEI)	Part No. 960 505
230/460 V, 60 Hz and 400 V, 50 Hz (NEMA)	Part No. 960 512
230/400 V, 50/60 Hz and 460 V, 60 Hz (CEI)	Part No. 960 522
200 V, 50/60 Hz (JIS)	Part No. 960 517
with three-phase motor, with standard gas ballast, with oil filter 230/400 V, 50 Hz and 460 V, 60 Hz (CEI)	Part No. 960 507
230/460 V, 60 Hz and 400 V, 50 Hz (NEMA)	Part No. 960 514
230/400 V, 50/60 Hz and 460 V, 60 Hz (CEI)	Part No. 960 524
200 V, 50/60 Hz (JIS)	Part No. 960 519
Other voltages/frequencies ²⁾	upon request
Filling with special oil ²⁾	upon request
RUVAC adapter	Part No. 971 448 740
Exhaust filter cartridge AFE SV65/100B ³⁾	Part No. 714 17 300
Maintenance kit	Part No. 971 427 690
Repair kit	Part No. 971 427 680
Seal kit FPM (FKM)	Part No. 971 427 670
Oil filter ⁴⁾	Part No. 712 13 150
Oil filter bypass	Part No. 712 30 570

¹⁾ Pumps with European and Japanese motors have G,
pumps with US voltages motors have NPT

²⁾ Please indicate when ordering a pump

³⁾ 2 cartridges needed per pump

⁴⁾ Not included in maintenance kit