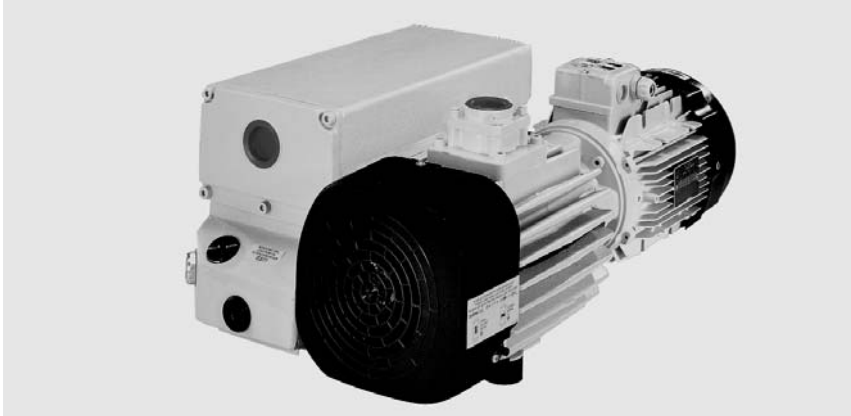


SOGEVAC SV 120 B



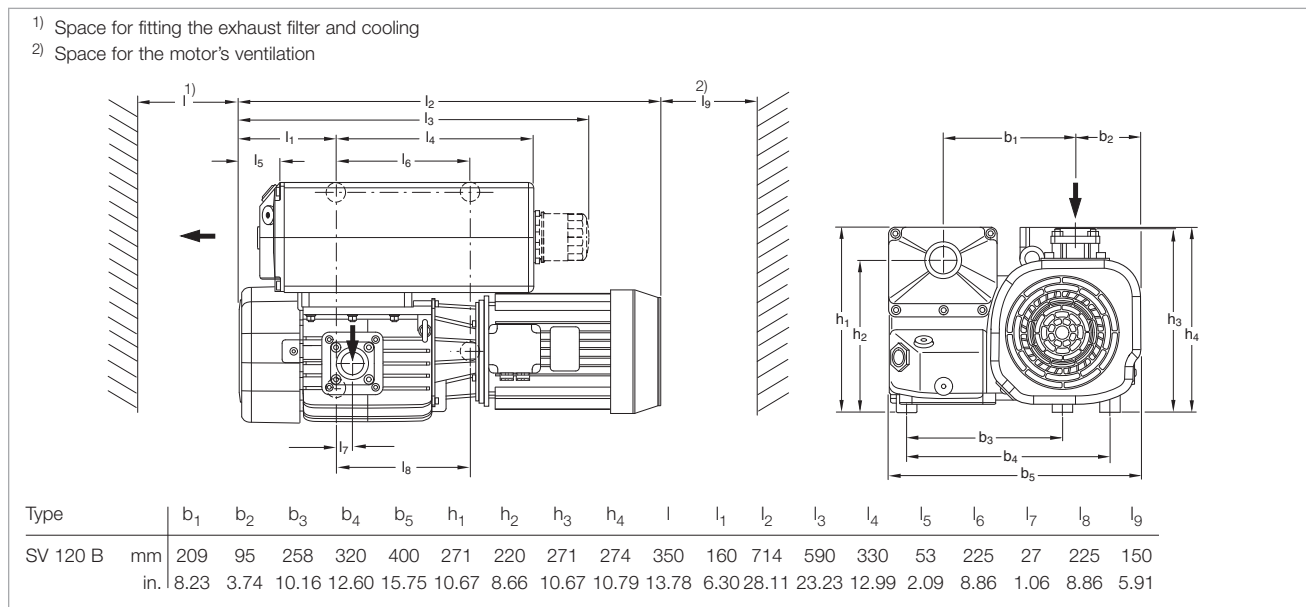
SOGEVAC SV 120 B

Advantages to the User

- Best effective pumping speed in this class
- Good pump temperature due to the cooling coil, ideal for harsh applications. Optimal oil life time thus reached
- Wide range motor as standard
- Optimised integrated lubrication without external pipes
- Integrated oil recovery system and anti suckback valve
- Low noise level

Typical Applications

- Oil purification
- Plastic & rubber injection presses
- Lamination
- ATEX and O₂ applications
- ... and more



Dimensional drawing for the SOGEVAC SV 120 B

Technical Data

SOGEVAC SV 120 B

		50 Hz	60 Hz
Nominal speed ¹	m ³ x h ⁻¹ (cfm)	130 (77)	147 (86)
Pumping speed (according to PNEUROP) ¹	m ³ x h ⁻¹ (cfm)	110 (65)	122 (72)
Ultimate partial pressure without gas ballast ¹	mbar (Torr)	≤ 0.5 (≤ 0.4)	≤ 0.5 (≤ 0.4)
Ultimate total pressure ¹ with gas ballast ²⁾	mbar (Torr)	≤ 1.5 (≤ 1.0)	≤ 1.5 (≤ 1.0)
Water vapor tolerance ¹ with standard gas ballast ²⁾	mbar (Torr)	30 (23)	30 (23)
Water vapor capacity with standard gas ballast ²⁾	kg x h ⁻¹ (qt/hr)	1.60 (1.69)	1.70 (1.80)
Mean noise level (according to DIN 466535) ³⁾	dB(A)	61	64
Admissible ambient temperature	°C (°F)	12 to 40 (54 to 104)	12 to 40 (54 to 104)
Motor power 3 ~ (with IEC Euro (NEMA) motor)	kW (hp)	2.4 (3.3)	3.2 (4.4)
Mains voltage and frequency 3 ~ motor	V	220-230 and 380-400 V ±10%, 50 Hz 230 and 400-460 V ±10%, 60 Hz	220-230 and 380-400 V ±10%, 50 Hz 230 and 400-460 V ±10%, 60 Hz
Rated rotational speed	min ⁻¹ (rpm)	1500 (1500)	1800 (1800)
Type of protection	IP	55	55
Isolation class 3 ~ motor		F	F
Leak rate	mbar x l x s ⁻¹	≤ 1 x 10 ⁻³	≤ 1 x 10 ⁻³
Materials (materials in contact with the gas)		Steel, cast iron, Aluminum, Bronze, FPM (FKM), Glass, Polyamid 6.6, Filter material (Polymers, Paper), Epoxy resin & Glass fibre	Steel, cast iron, Aluminum, Bronze, FPM (FKM), Glass, Polyamid 6.6, Filter material (Polymers, Paper), Epoxy resin & Glass fibre
Oil capacity GS 77	l (qt)	2.0 (2.1)	2.0 (2.1)
Net weight (with oil filling)	kg (lbs)	88 (194)	88 (194)
Dimensions (L x W x H)	mm (in.)	755 x 400 x 290 (29.7 x 15.7 x 11.4)	755 x 400 x 290 (29.7 x 15.7 x 11.4)
Connection (inside thread) ⁴⁾			
Intake	G or NPT	1 1/4"	1 1/4"
Exhaust	G or NPT	1 1/4"	1 1/4"

¹⁾ To DIN 28 400 and following numbers

²⁾ Ordering Information, see next page

³⁾ Operated at the ultimate pressure without gas ballast, free-field measurement at a distance of 1 m (3.5 ft)

⁴⁾ Pumps with European and Japanese motors have G,
pumps with US (NEMA) motors have NPT

Ordering Information

SOGEVAC SV 120 B 50/60 Hz

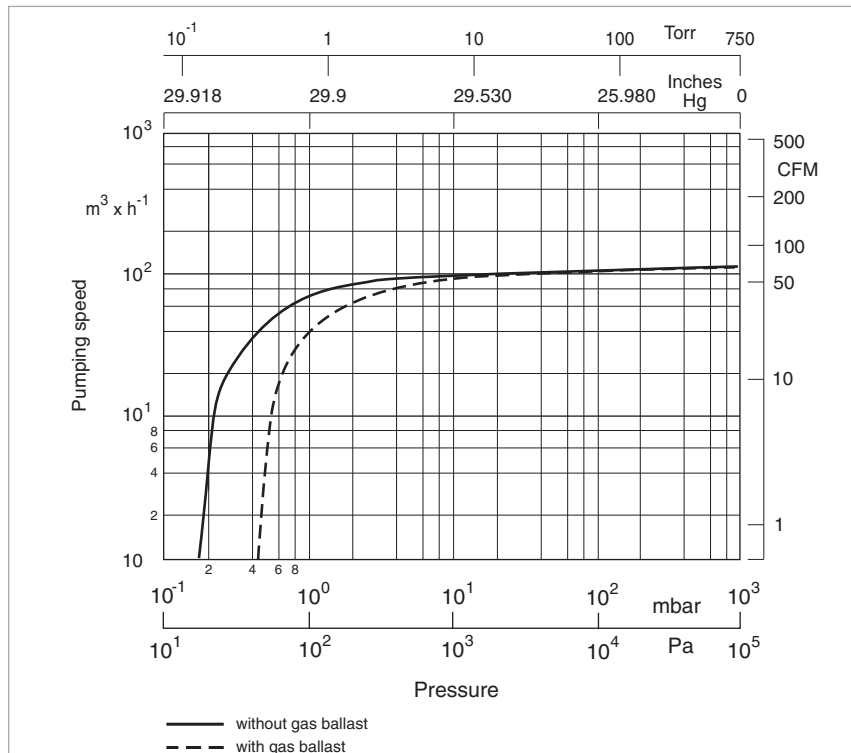
SOGEVAC SV 120 B ¹⁾ with three-phase motor 230/400 V ±10%, 50 Hz and 230/400/460 V ±10%, 60 Hz	
without gas ballast, without oil filter	Part No. 960 550 V (upon request)
with small gas ballast, without oil filter	Part No. 960 551
without gas ballast, with oil filter	Part No. 960 552 V (upon request)
with small gas ballast, with oil filter	Part No. 960 553
with standard gas ballast, without oil filter	Part No. 960 572
with standard gas ballast, with oil filter	Part No. 960 557
Other voltages/frequencies ²⁾	upon request
Filling with special oil ²⁾	upon request
RUVAC adapter	Part No. 971 448 740
Exhaust filter cartridge AFE SV65/100B ³⁾	Part No. 714 17 300
Maintenance kit	Part No. 971 427 690
Repair kit	Part No. 971 427 680
Oil filter ⁴⁾	Part No. 712 13 150
Oil filter bypass	Part No. 712 30 570

1) Pumps with European and Japanese motors have G, pumps with US voltages motors have NPT

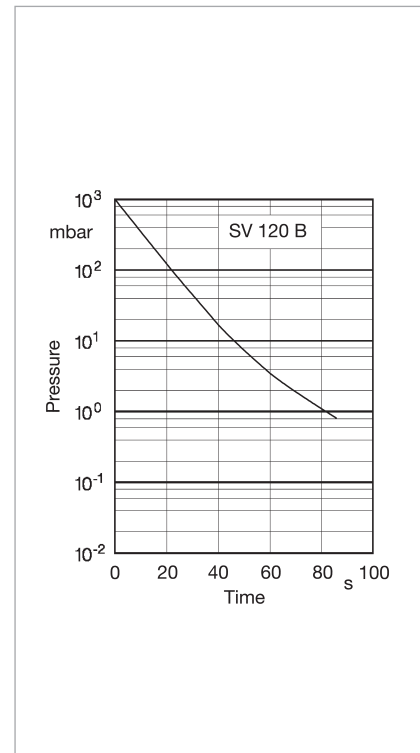
2) Please indicate when ordering a pump

3) 2 cartridges needed per pump

4) Not included in maintenance kit



Pumping speed characteristics of the SOGEVAC SV 120 B at 50 Hz
(60 Hz curves at the end of the section)



Pump-down characteristics of a 300 l vessel
at 50 Hz