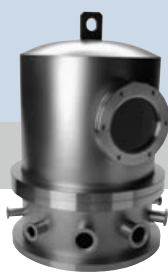


# Chambers & Weldments

## Bell Jars, Feedthrough Collars & Baseplates



### SPECIFICATIONS

#### Materials

Flanges and body: 304 stainless steel  
O-rings: Viton

#### Finish: Beadblast standard

(Tumbled and electropolish available)

Fasteners: Wingnut, SureSeal,  
bulkhead and EVAC clamps

#### Vacuum range

Elastomer seal:  $\geq 1 \times 10^{-8}$  Torr - High vacuum  
EVAC metal seal:  $\geq 1 \times 10^{-11}$  Torr - UHV

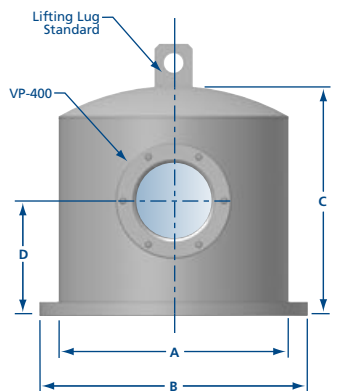
#### Temperature range

Viton: -20°C to 200°C  
Silicone: -50° to 230°C  
Buna: -30°C to 110°C  
EVAC metal seal: -270°C to 150°C



Nor-Cal offers stainless steel baseplates, feedthrough collars and bell jars as standard items. Used in conjunction with our other chamber accessories, an entire bell jar system can be ordered without the expense of design or custom fabrication. Any of the bell jar components shown may be altered to meet the customer's specific requirements. Our sales staff can quickly estimate the additional cost or savings.

Baseplates come in a variety of sizes with smooth faced ASA flanges to bolt directly to the vacuum pump. They may also be furnished with other types and sizes of flanges. If feedthroughs are required, a feedthrough collar with varying numbers of 2¾ inch CF flanges may be inserted between the baseplate and bell jar. NW flanges can also be provided. A dovetail O-ring groove on the base of the collar effects a seal with the baseplate when the Viton O-ring provided is compressed. The feedthrough collar can be used with a glass bell jar and L-gasket or our stainless steel bell jar with 7056 glass viewport. Like the collar, the bell jar is provided with a Viton O-ring and has a dovetail groove in its base. Bead-blasted finish is standard. Water-cooled jackets are available upon request.

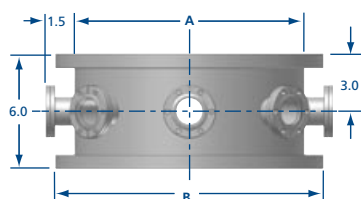


### Bell Jars

MODEL NUMBER	TUBE OD A	FLANGE OD B	C	D
BJ-1200	12	14	12.00	6.00
BJ-1200-EP*	12	14	12.00	6.00
BJ-1800	18	20	30.00	12.00
BJ-1800-EP*	18	20	30.00	12.00
BJ-2400	24	26	30.00	12.00
BJ-2400-EP*	24	26	30.00	12.00

NOTE: One Viton O-ring is included with all of the above.

\*Electropolished finish.

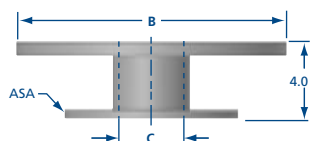


### Feedthrough Collars

MODEL NUMBER	NUMBER OF 2.75 CF PORTS	TUBE OD A	FLANGE OD B
FCO-1200-6	6	12	14
FCO-1200-6-EP*	6	12	14
FCO-1800-8	8	18	20
FCO-1800-8-EP*	8	18	20
FCO-2400-12	12	24	26
FCO-2400-12-EP*	12	24	26

NOTE: One Viton O-ring is included with all of the above.

\*Electropolished finish.



### Baseplates

MODEL NUMBER	NOMINAL SIZE	ASA FLANGE	FLANGE OD B	TUBE ID C
BP-1200	12	ASA-9-400N	14	3.83
BP-1200-EP*	12	ASA-9-400N	14	3.83
BP-1800	18	ASA-11-800N	20	7.76
BP-1800-EP*	18	ASA-11-800N	20	7.76
BP-2400	24	ASA-11-800N	26	7.76
BP-2400-EP*	24	ASA-11-800N	26	7.76

\*Electropolished finish.

### Replacement Viton O-Rings

MODEL  
NUMBER

1200-OR

1800-OR

2400-OR