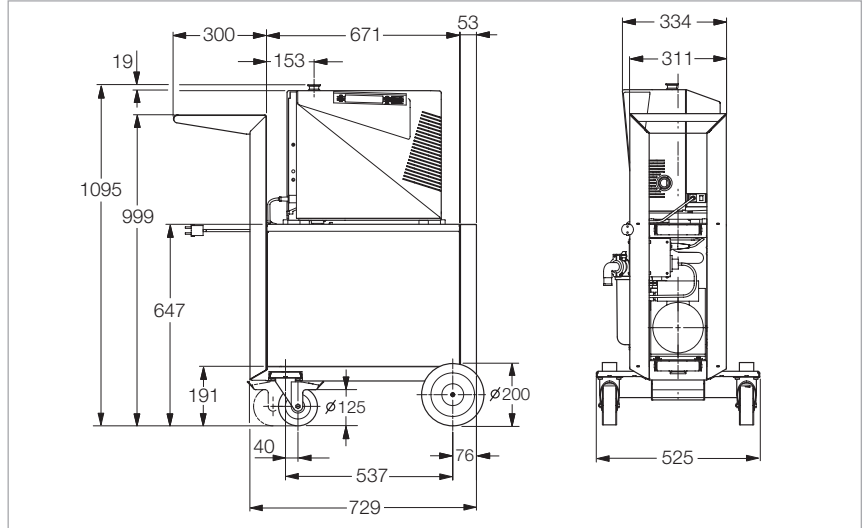


CART 300 for PHOENIX L300i



CART 300 (with PHOENIX L300i)



Dimensional drawing for CART 300
(here as an example with leak detector and scroll pump SCROLLVAC SC 30 DL)

Technical Data

CART 300

Dimensions (W x H x D)	mm	525 x 1095 x 1024
Weight without leak detector and pump, approx. kg (lbs) (here as an example with leak detector and scroll pump SCROLLVAC SC 30 DL)		50.0 (110.38)

Ordering Information

CART 300

	Euro version	US version
	Part No.	Part No.
CART 300 without E-Box	252 005	252 005
with E-Box 230 V, EURO version	252 006	-