

# Portable and Dry Helium Leak Detector PHOENIX L300i DRY



PHOENIX L300i DRY

The PHOENIX L300i DRY is a compact portable helium leak detector capable of meeting the highest cleanliness requirements.

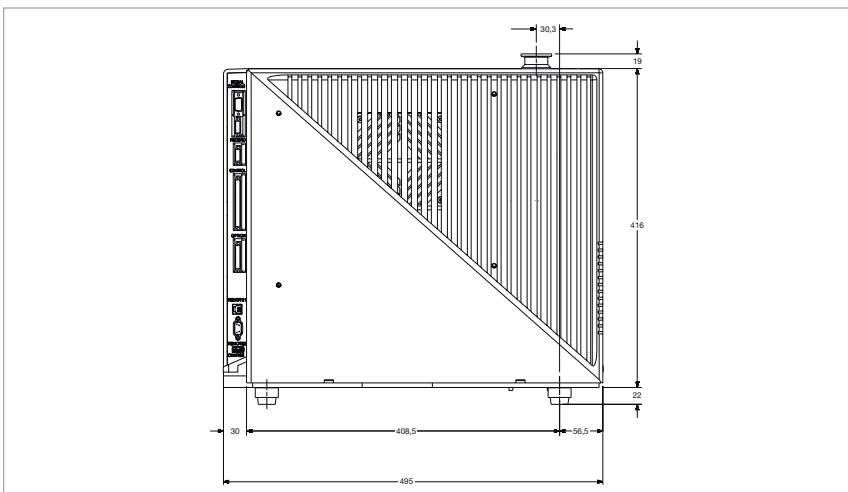
Based on the well-proven technology of the PHOENIX L300i, equipped with an oil-free pump system, the PHOENIX L300i DRY meets the highest requirements concerning cleanliness while at the same time being small in size.

## Advantages to the User

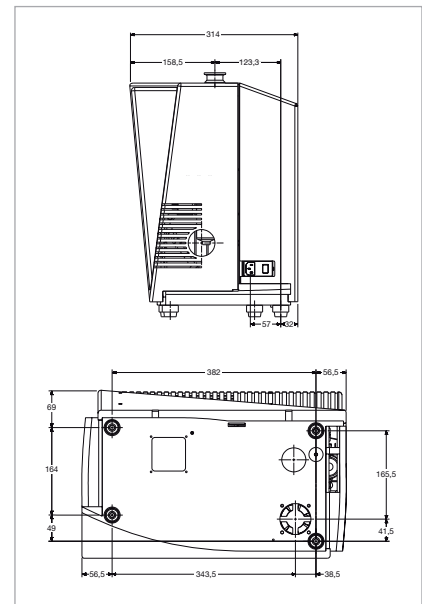
- Oil-free "dry" pump system
- Small footprint
- Quick start-up
- Extremely fast response
- Service friendly through modular design
- Integrated helium contamination protection

## Typical Applications

- Leak tests with stringent requirements concerning cleanliness, for example
- Semiconductor industry
  - after repairs or maintenance work
  - Production of semiconductor components
  - Pharmaceutical/medicine
  - Laser



Dimensional drawing for the PHOENIX L300i DRY (rear side)



Dimensional drawing for the PHOENIX L300i DRY (side and upper side)

## Technical Data

## PHOENIX L300i DRY

Minimum detectable helium leak rate		
Vacuum mode	mbar x l x s <sup>-1</sup>	≤ 3 x 10 <sup>-11</sup>
Sniffer mode	mbar x l x s <sup>-1</sup>	< 1 x 10 <sup>-7</sup>
Minimum detectable hydrogen leak rate		
Vacuum mode	mbar x l x s <sup>-1</sup>	≤ 1 x 10 <sup>-8</sup>
Sniffer mode	mbar x l x s <sup>-1</sup>	< 1 x 10 <sup>-7</sup>
Units of measurement (selectable)		
Pressure		mbar, Pa, atm, Torr
Leak rate		mbar x l x s <sup>-1</sup> , Pa x m <sup>3</sup> x s <sup>-1</sup> , Torr x l x s <sup>-1</sup> , atm x cc x sec <sup>-1</sup> , sft <sup>3</sup> /yr
Sniffer mode		ppm, g/a eq, oz/yr eq
Leak rate measurement range	mbar x l x s <sup>-1</sup>	1 x 10 <sup>-11</sup> to 1 x 10 <sup>-1</sup>
Measurement ranges		11 decades
Max. inlet pressure	mbar (Torr)	15 (11.25)
Pumping speed during the evacuation process		
50 Hz	m <sup>3</sup> x h <sup>-1</sup> (cfm)	1.6 (0.94)
60 Hz	m <sup>3</sup> x h <sup>-1</sup> (cfm)	1.8 (1.06)
Pumping speed (helium) at the inlet		
GROSS mode	l/s	0.02
PRECISION mode	l/s	0.4
FINE mode	l/s	> 2,5
Time constant of the leak rate signal (blanked off, 63% of final value)	s	< 1
Run-up time (after starting)	min	≤ 2
Mass spectrometer		180° magnetic sector field
Ion source		2 filaments; iridium/yttria-oxide
Detectable masses	amu	2, 3 and 4
Inlet port	DN	25 ISO-KF
Dimensions (W x H x D)		495 x 456 x 314
Weight	kg (lbs)	35.5 (78.4)
Available languages		English, German, Chinese, Japanese (Katakana), Russian, French, Italian, Spanish, Polish and Korean

## Ordering Information

## PHOENIX L300i DRY

	Part No.
PHOENIX L300i DRY EURO version 230 V, 50 Hz, mbar readout, with integrated calibrated leak TL 7	<b>250001V01</b>
US version 115 V, 60 Hz, mbar readout, with integrated calibrated leak TL 7	<b>251001V01</b>
Japan version 100 V, 50/60 Hz, mbar readout, with integrated calibrated leak TL 7	<b>251101V01</b>
iPad incl. software (APP) and protection case (IP 67) PHOENIX L300i	<b>252005V01</b>
WLAN module iPad	<b>252006V01</b>
iPad holder PHOENIX L300i	<b>252007V01</b>
BARCODE scanner iPad PHOENIX L300i	<b>252008V01</b>
iPad table stand	<b>252009V01</b>
iPad lock	<b>252010V01</b>
Partial flow system (115-230 V)	<b>140 20</b>
PC software LeakWare	<b>140 90</b>
For further accessories see para. "Accessories for PHOENIX L300i, PHOENIX L300i DRY and PHOENIX L300i MODUL"	