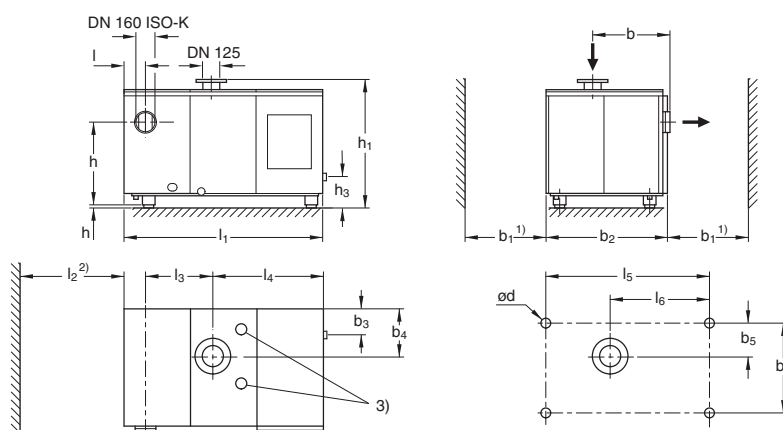


# SOGEVAC SV 1200



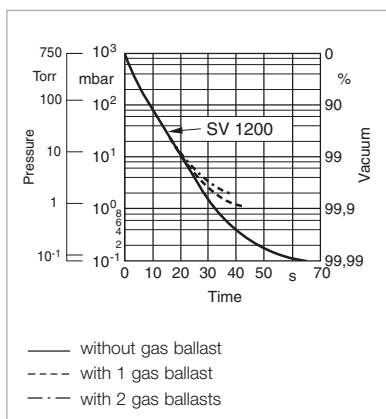
SOGEVAC SV 1200

- 1) Clearance for cooling air flow
- 2) Clearance for filter exchange
- 3) Access to the GB valves

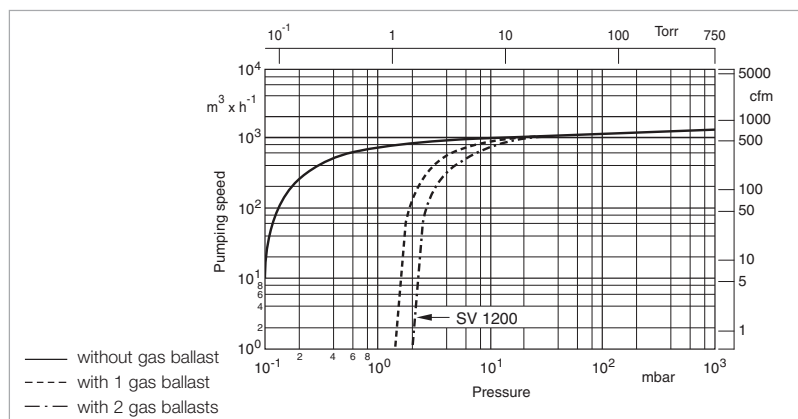


Type	b	b <sub>1</sub>	b <sub>2</sub>	b <sub>3</sub>	b <sub>4</sub>	b <sub>5</sub>	b <sub>6</sub>	od	h	h <sub>1</sub>	h <sub>2</sub>	h <sub>3</sub>	l	l <sub>1</sub>	l <sub>2</sub> , min.	l <sub>3</sub>	l <sub>4</sub>	l <sub>5</sub>	l <sub>6</sub>	
SV 1200	mm	615	1000	1015	180	385	268	740	15	675	1050	25	240	185	1640	500	540	915	1345	830
	in.	24.21	39.37	39.96	7.09	15.16	10.55	29.13	0.59	26.57	41.34	0.98	9.45	7.28	64.57	19.69	21.25	36.02	52.95	32.68

Dimensional drawing for the SOGEVAC SV 1200



Pump-down characteristics of a 1000 l vessel at 50 Hz



Pumping speed characteristics of the SOGEVAC SV 1200 at 50 and 60 Hz

## Technical Data

## SOGEVAC SV 1200

		50 Hz	60 Hz
Nominal speed <sup>1)</sup>	m <sup>3</sup> x h <sup>-1</sup> (cfm)	1150 (677)	1150 (677)
Pumping speed <sup>1)</sup>	m <sup>3</sup> x h <sup>-1</sup> (cfm)	1070 (630)	1070 (630)
Ultimate partial pressure without gas ballast <sup>1)</sup>	mbar (Torr)	≤ 0.1 (≤ 0.08)	≤ 0.1 (≤ 0.08)
Ultimate total pressure with 1 standard gas ballast <sup>1)</sup>	mbar (Torr)	≤ 1.5 (≤ 1.1)	≤ 1.5 (≤ 1.1)
with 2 gas ballasts <sup>2)</sup>	mbar (Torr)	≤ 2.0 (≤ 1.5)	≤ 2.0 (≤ 1.5)
Water vapor tolerance with 1 gas ballast	mbar (Torr)	20.0 (15.0)	20.0 (15.0)
with 2 gas ballasts	mbar (Torr)	40.0 (30.0)	40.0 (30.0)
Water vapor capacity with 1 gas ballast	kg x h <sup>-1</sup> (qt/hr)	12.5 (13.0)	12.5 (13.0)
with 2 gas ballasts	kg x h <sup>-1</sup> (qt/hr)	25.0 (26.0)	25.0 (26.0)
Oil capacity, min. / max.	l (qt)	60 (63) / 70 (74)	60 (63) / 70 (74)
Noise level <sup>3)</sup>	dB(A)	75	78
Admissible ambient temperature	°C (°F)	12 to 40 (54 to 104)	12 to 40 (54 to 104)
Motor power	kW (hp)	22 (30)	22 (30)
Nominal motor speed / Pump rated rotational speed	min <sup>-1</sup> (rpm)	1460 (1460) / 700 (700)	1750 (1750) / 700 (700)
Type of protection	IP	54-F	54-F/TEFC <sup>4)</sup>
Weight (with oil filling)	kg (lbs)	1370 (3021)	1370 (3021)
Dimensions (W x H x D)	mm (in.)	1660 x 1005 x 1050 (65.35 x 39.57 x 41.34)	1660 x 1005 x 1050 (65.35 x 39.57 x 41.34)
Connection			
Intake	DN	125 PN 10	ASA 150 - 6" <sup>5)</sup>
Exhaust	DN	160 ISO-K	ASA 150 - 6" <sup>5)</sup>
Option <sup>6)</sup>	DN	125 PN 10	-

<sup>1)</sup> To DIN 28 400 and following numbers

<sup>2)</sup> With 2 gas ballasts

<sup>3)</sup> Operated at the ultimate pressure without gas ballast, free-field measurement at a distance of 1 m

<sup>4)</sup> CEI motor (Europe) 50/60 Hz has IP 54, NEMA motor (North and South America) has TEFC

<sup>5)</sup> For NEMA pumps

<sup>6)</sup> Please indicate when ordering a pump

**Note:** Further pump options upon request (for example, water cooled pumps)

## Ordering Information

## SOGEVAC SV 1200

50/60 Hz

SOGEVAC SV 1200 with three-phase motor, integrated gas ballast valves, air-cooled and over-temperature switch 400V V, 50 Hz (CEI) <sup>1)</sup> 208 - 230/460 V, 60 Hz (NEMA) Other voltages/frequencies <sup>2)</sup> Filling with special oil <sup>2)</sup>	<b>Part No. 109 70</b> <b>Part No. 950 70</b> <b>upon request</b> <b>upon request</b>
<b>Accessories</b>	
Water cooling with thermostatic valve <sup>3)</sup>	<b>upon request</b>
Adaptor for Roots pump <sup>2), 4)</sup> RUVAC 2001 RUVAC 3001	<b>Part No. 953 37</b> <b>Part No. 953 38</b>
Oil level monitor <sup>2), 4)</sup>	<b>Part No. 953 99</b>
Exhaust filter monitoring switch electric <sup>2)</sup>	<b>upon request</b>
<b>Spare Parts</b>	
Oil filter	<b>Part No. 712 14 598</b>
Exhaust filter cartridge (14x required)	<b>Part No. 710 64 773</b>
Vanes (set of 3 pieces)	<b>Part No. 712 14 310</b>
Set of gaskets NBR (standard)	<b>Part No. 971 96 681</b>
Set of gaskets FKM	<b>Part No. 712 36 060</b>
Repair kit complete (50 Hz)	<b>Part No. 712 34 800</b>
Pump module complete (50 Hz)	<b>Part No. 712 34 820</b>

<sup>1)</sup> Junction box with six terminals for star/delta circuit

<sup>2)</sup> Please indicate when ordering a pump

<sup>3)</sup> With 2 gas ballasts

<sup>4)</sup> Can be retrofitted

**Note:** Further pump options upon request (for example, water cooled pumps)