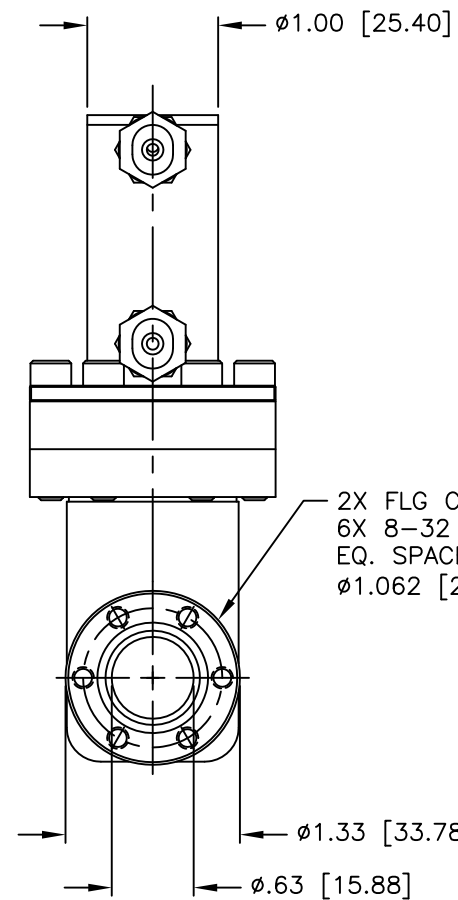
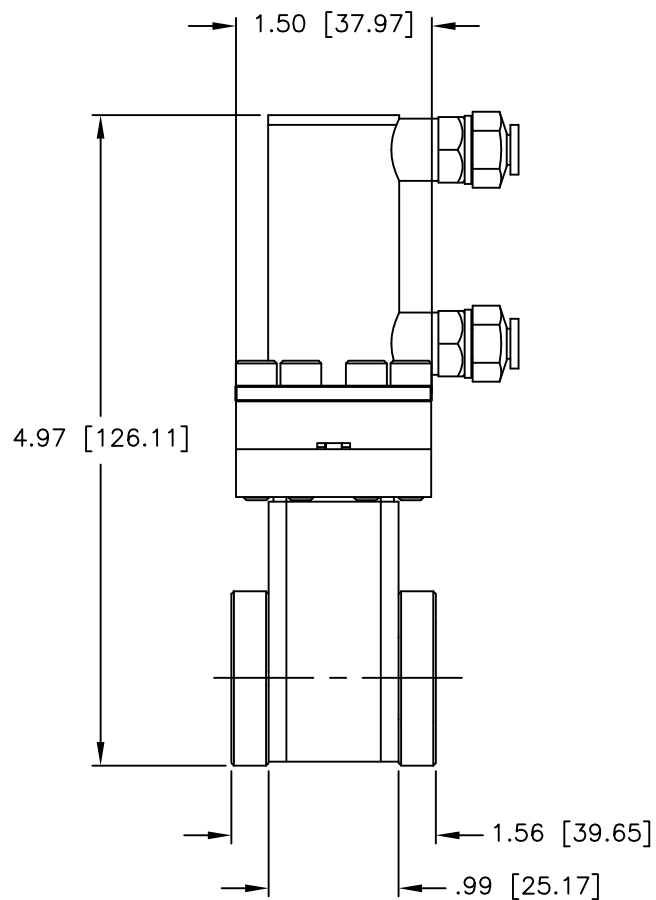


CARRIAGE SIDE



GATE (SEAL) SIDE

2X FLG CFF 1.33 X .625
 6X 8-32 UNC-2B
 EQ. SPACED ON A
 $\phi 1.062$ [27.0] B.C.



12880 MOYA BLVD., RENO, NV 89506

OUTLINE DIMENSION DRAWING

DRAWING NUMBER
 0261-5BX

DRAWING TITLE
 G .625" RMSB/PNU/CFF
 MODEL #11222-0060

REVISION
 B