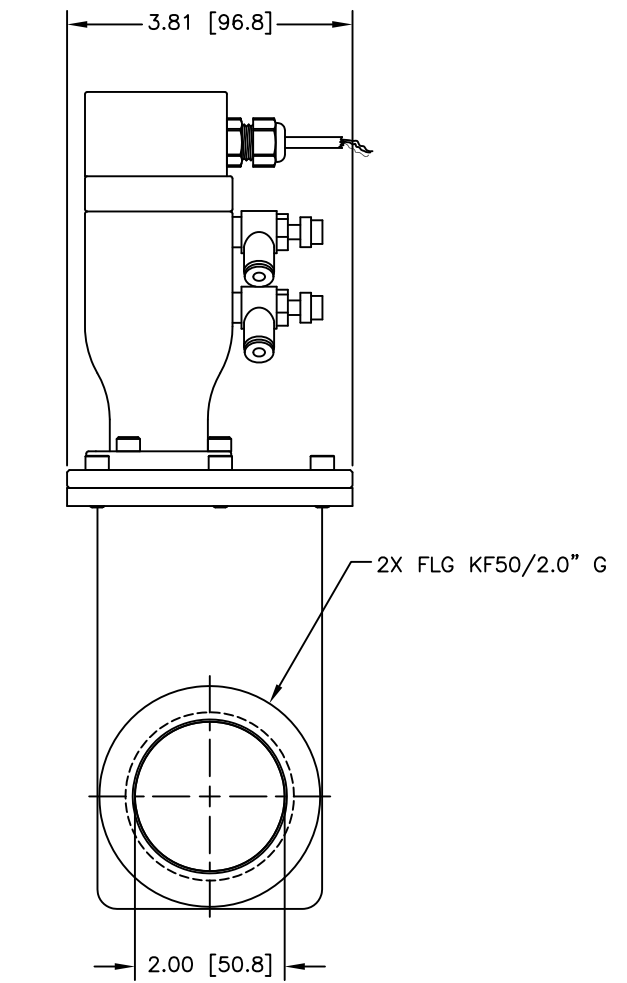
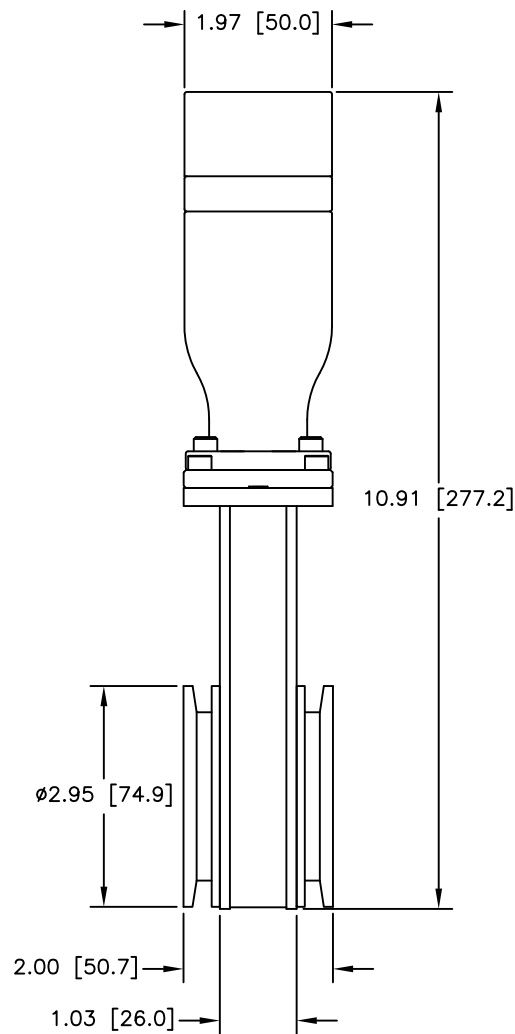


CARRIAGE SIDE



GATE (SEAL) SIDE



12880 MOYA BLVD., RENO, NV 89506

OUTLINE DIMENSION DRAWING

DRAWING NUMBER
6307-2AT

DRAWING TITLE
G 2.0" LSTD/PNU/KF
MODEL # 21212-0203R

REVISION
A