

The Flexstation™ is a production class automated helium leak test system ready to interface with production test tooling. The standard platform provides a robust, high-value solution through configurable software and hardware, enabling the Flexstation™ to perform in many variations of helium hard vacuum or HATS™ leak testing methods. In addition, its modular design can adapt to new test tooling as your production requirements change.



*Flexstation™ integrated with custom test chamber*

### FEATURES

- High performance in a compact footprint
- Standard hardware and software
- Flexible software configurations for many test fixture and sequence options
- Industrial PLC with 10" color touch screen
- Inficon LDS3000 helium leak detector with 3 year ion source warranty
- Field upgradable from single to dual station

### CONFIGURATION OPTIONS

- Interface with automated or manually actuated test fixtures
- Configurable for manual button, automatic, or remote cycle initiation
- Multiple part clamp options
- Integrate with part marking systems
- Integrated full-featured part charging

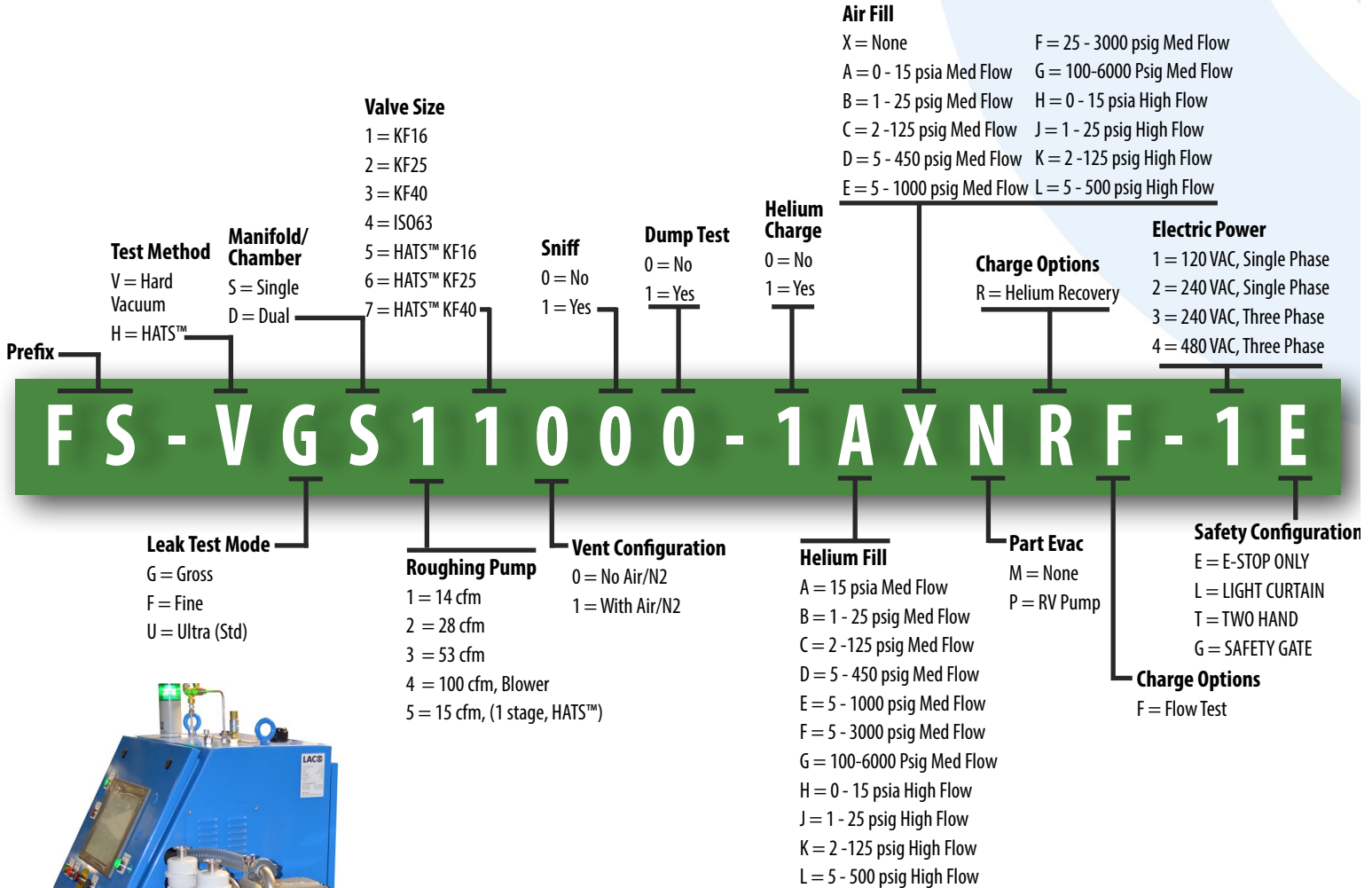
### SPECIFICATIONS

COMPONENT	DESCRIPTION
<b>SENSITIVITY</b>	10 <sup>-9</sup> atmcc/sec range (depending on part size, configuration, and cycle time)
<b>CYCLE TIME</b>	Capable of high speed testing to less than 10 seconds/cycle (part and reject limit dependent)
<b>CONTROL SYSTEM</b>	Industrial PLC with 10" color touch screen, 64 digital inputs, 80 digital outputs, and 20 analog inputs
<b>COMMUNICATION</b>	Ethernet and USB
<b>LEAK DETECTOR</b>	Inficon LDS3000 helium leak detector with a 3 year ion source warranty
<b>POWER</b>	Depends on roughing pump size. See part number matrix on page 2
<b>GAS CONNECTION</b>	<b>Air</b> 80 psig minimum, clean dry air
	<b>Vent</b> Exhaust vent for helium
	<b>Helium</b> As required
<b>DIMENSIONS</b>	65" H x 38" W x 23" D

### SOFTWARE FEATURES

- Automated test sequencing with test fixture control
- Full control over test recipe parameters, with up to 100 stored recipes
- System calibration function with user-configurable calibration expiration
- Diagnostics screens to assist in troubleshooting the system
- Manual mode operation with graphical screens and safety interlocks
- Password protection to restrict access to manual modes and editing test recipes
- Maintenance tracking feature
- Fault tracking history
- 16 GB of test or other data storage

### PART NUMBER MATRIX



*Flexstation™ with 53 CFM roughing pump package*



*Industrial PLC with 10" color touch screen*